

BUSTER+PUNCH

LONDON

[product.]

PUNCH BULB / PUCK

[range. **LIGHTING.**]

[type. **E27 SCREW.**]

[born. **LONDON.**]

[region. **EUROPE.**]

A small puck shaped LED light bulb, finished with in opal glass shell to give a uniform warm-white light.

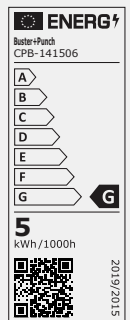
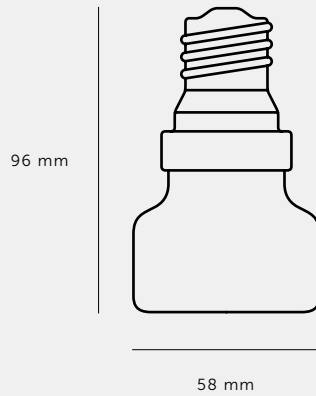


[finish. **CRYSTAL.**]



[type. **SW DIMMABLE.**]

[info. **MEASUREMENTS.**]



[info. **SPECIFICATIONS.**]

Power: 5W
Type: Dimmable LED
Screw fitting: E27
Supply: 220-240 VAC
Expected Life*: 35,000 hrs

Lumen: max 420
Light appearance: 2700k (Warm White)

CRI: 80
Power factor: 0.8
Recommended dimmer module: Buster + Punch LED module.
(Sold with our dimmer switches)

Please note: Not suitable for DALI dimming systems.
CE certified.*

For indoor use only.

*Official data doc can be supplied upon request.

[please. **NOTE.**]

The dimmable LED Bulb requires a LED-compatible dimmer switch, like the Buster + Punch Premium dimmer switch. They can also be used with on/off switches.

If you are looking to use this product in conjunction with a smart or home automation system, please refer to the system manufactures guidance to check compatibility. Our bulbs are mains dimmable via phase cut/trailing edge dimming. To avoid disappointment, please ensure a compatible smart module is fitted before purchase.

* This product is specifically designed and developed for domestic use in normal conditions and operation only. The lifetime mentioned on the packaging is an average only. This product comes with 2 years warrantee.

[info. **FINISH & SKU NUMBERS.**]

[finish.]

[sku.]

Warm White

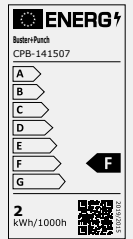
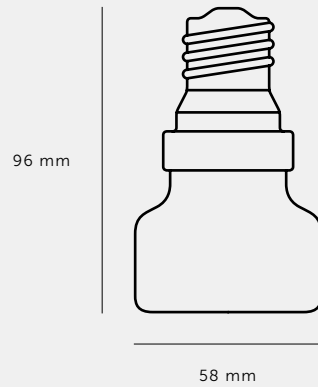
CPB-141506

[info. **CARE INSTRUCTIONS.**]

Wipe with damp cloth with no loose hairs, avoid using any chemicals. Please note all finishes are prone to aging.

[type. **2W NON-DIMMABLE.**]

[info. **MEASUREMENTS.**]



[info. **SPECIFICATIONS.**]

Power: 2W
Type: Non-dimmable LED
Screw fitting: E27
Supply: 100-240 VAC
Expected Life*: 35,000 hrs

Lumen: 210
Light appearance: 2700k

CRI: 80
Power factor: 0.5
CE certified.*

For indoor use only.

*Official data doc can be supplied upon request.

[info. **FINISH & SKU NUMBERS.**]

[**finish.**]

[**sku.**]

Warm White

CPB-141507

[please. **NOTE.**]

The non-dimmable LED BULB is only compatible with on/off switches. If you are looking to use this product in conjunction with a smart or home automation system, please refer to the system manufactures guidance to check compatibility. Our bulbs are mains operated at 240VAC. To avoid disappointment, please ensure a compatible smart module is fitted before purchase.

* This product is specifically designed and developed for domestic use in normal conditions and operation only. The lifetime mentioned on the packaging is an average only. This product comes with 2 years warrantee.

[info. **CARE INSTRUCTIONS.**]

Wipe with damp cloth with no loose hairs, avoid using any chemicals. Please note all finishes are prone to aging.